



## Marine LCD Monitor

◆ HM-2615 ◆ HM-2617 ◆ HM-2619 ◆ HM-2624

---

# OPERATION MANUAL

**Instructions:**

All rights reserved.

Information in this manual is subject to update without notice. XINUO reserves the right to change or update the contents without obligation to notify any person or organizations. You can visit the XINUO web site: [www.xinuo.com](http://www.xinuo.com) to know the latest updated information and operation of this or other XINUO products.

**Warning:** Please read through the cautions of the manual to understand the product's cautions and other more important information.

The equipment is not used for navigating directly.

When use the device, please refer to other available navigation sources, including the information from other navigation aids and actual sea conditions, such as: official chart, visual sightings, radar, tides, hydrology, weather and so on.

**Statements:** Other products and company names involved in this manual are only for identification. Those names may be registered trademarks owned by other company. Version information is displayed in the system only and will not be described in details in this manual. "XINUO" and "XINUO TECH" mentioned in this manual all refers to "Xinuo information technology (xiamen) corporation limited".

This manual applies to the following models:

- HM-2615
- HM-2617
- HM-2619
- HM-2624

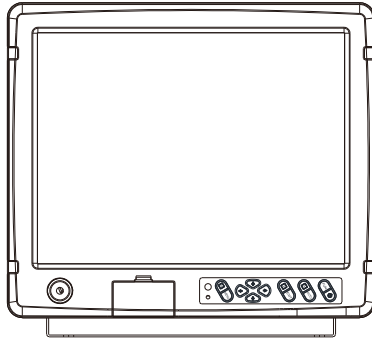
## CONTENTS

1 Appearance of Product .....	1
2 Keypad Functions.....	5
3 Installation Overall Dimensions.....	10
4 Marine Monitor Specification .....	14
5 Packing List .....	15
6 Bracket Mounting Instruction .....	15

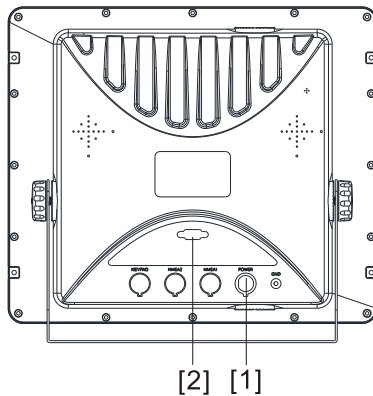
## 1 Appearance of Product

HM-2615(15") / HM-2617(17") / HM-2619(19") / HM-2624(24") is marine color LCD monitor. It designed for flush mounting or countertop installation, and can adjusting Angle. The appearance of the product as follow:

### 1. HM-2615 Front Panel



### HM-2615 Rear Panel

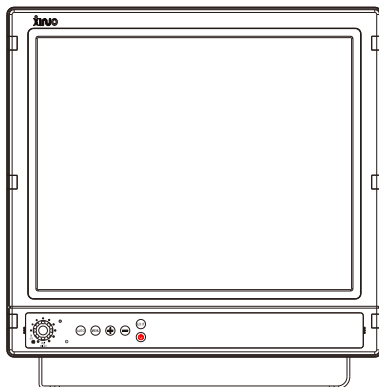


The Monitor external interface definitions as shown above:

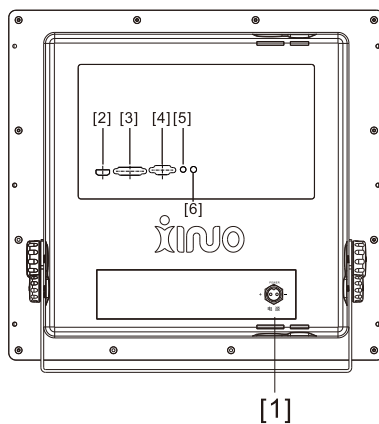
[1] POWER

[2] VGA

## 2. HM-2617 Front Panel



## HM-2617 Rear Panel



The Monitor external interface definitions as shown above:

[1] POWER

[2] HDMI

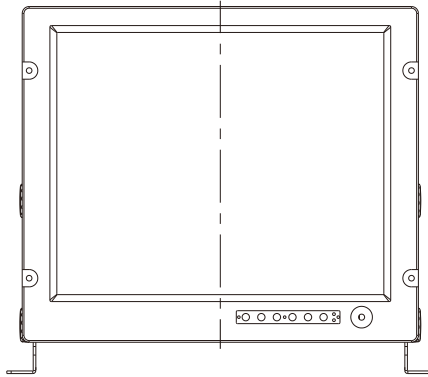
[3] DVI

[4] VGA

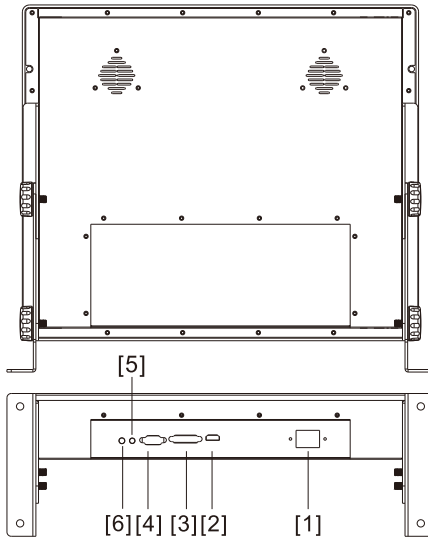
[5] AUDIO INPUT

[6] AUDIO OUTPUT

### 3. HM-2619 Front Panel



### HM-2619 Rear Panel



The Monitor external interface definitions as shown above:

[1] POWER

[2] HDMI

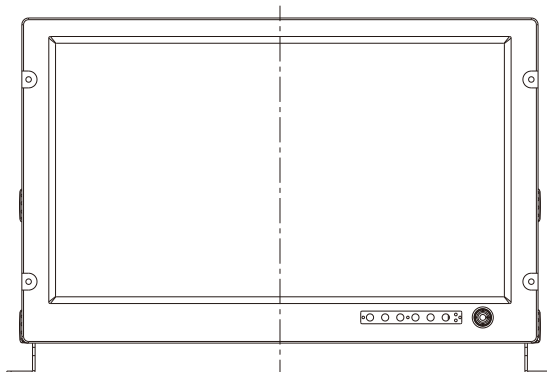
[3] DVI

[4] VGA

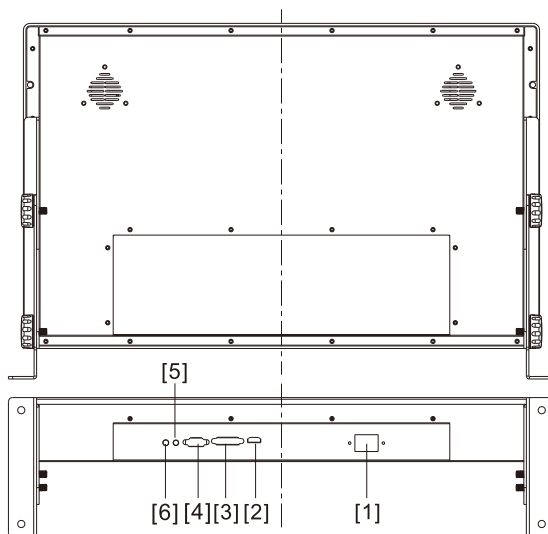
[5] AUDIO INPUT

[6] AUDIO OUTPUT

#### 4. HM-2624 Front Panel



#### HM-2624 Rear Panel



The Monitor external interface definitions as shown above:

[1] POWER

[2] HDMI

[3] DVI

[4] VGA

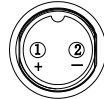
[5] AUDIO INPUT

[6] AUDIO OUTPUT

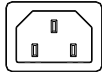
The power input has two kinds of DC power and AC power source, the interface is 2 core aviation socket and standard AC outlet; Dc power pin 1 is as positive input, the pin 2 is as negative input. Connect this two lines to the vessels 24V DC power, please pay more attention on the polarity (which air outlet pin 1 as positive, pin 2 as negative); Ac power supply is standard interface.

The DC power interface definitions as follows:

- [1] Positive of the power
- [2] Negative of the power (GND)



The AC power interface definitions as follows:



**Note:** The DC power supply input voltage range is 12V-36V, The AC power supply input voltage range is 88-264V, do not to exceed this voltage range, otherwise it will damage the device.

## 2 Keypad Functions

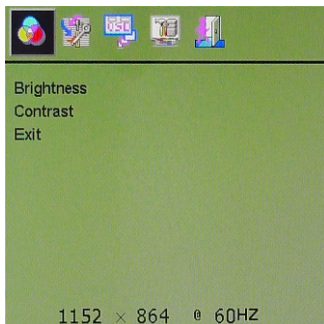
### HM-2615 Keypad Functions



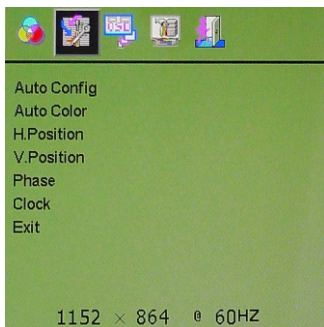
- [1] **[ [POWER] ] key:** To turn ON/OFF the monitor, but the core board still working.
- [ [FUN] ] key:** Reserved.
- [2] **[ [AUTO] ] key:** Automatically adjust to the center display or return to the previous menu.
- [3] **[ [EXIT] ] key:** Exit from current menu, or back to the previous menu.
- [4] **[ [++ ] key:** Increase the brightness of the display or flip down the menu.
- [5] **[ [+- ] key:** Reduce the brightness of the display or flip up the menu.
- [6] **[ [MENU] ] key:** See the details behind.



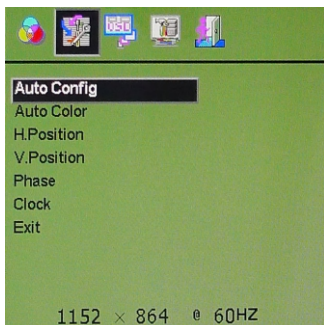
a] Press **[MENU]** to popup the setting menu window, show as below.



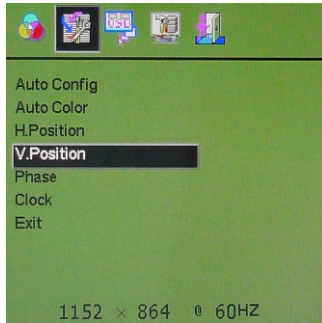
b] There have 5 setting menus displayed on the top of the window, to press **[←→]** or **[↔]** key to choose the setting menu which you want.



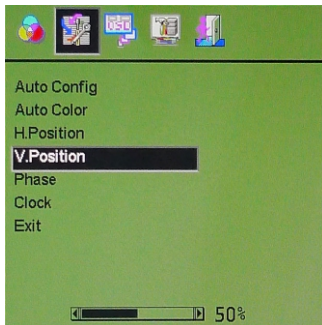
c] To press **[MENU]** again to enter the sub menu of the setting menu.



d] Press [←→] or [↔] to choose the sub menu which one you want to set.

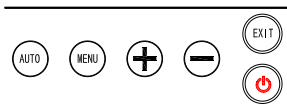


e] Press [MENU] again to enter the sub menu setting, then to set the parameter of the sub menu by press [←→] or [↔].

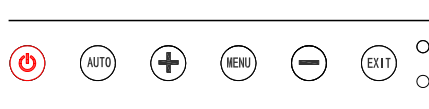


### HM-2617&HM-2619&HM-2624 Keypad Functions

HM-2617

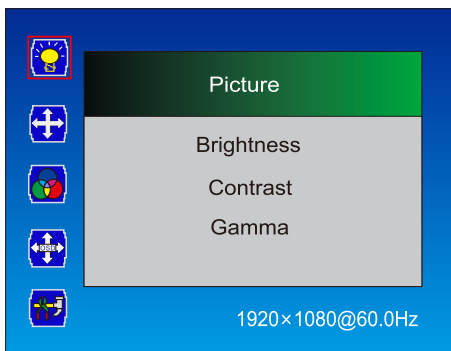


HM-2619/HM-2624

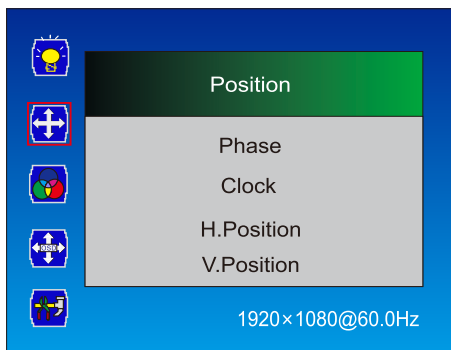


- [1] [Power] key : To turn ON/OFF the monitor, but the core board still working.
- [2] [-] key : Menu down, adjust the volume or adjust brightness.
- [3] [MENU] key : See the details behind.

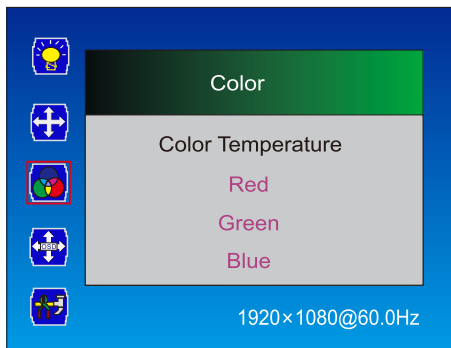
- a) Press **[MENU]** to popup the setting menu window, There have 5 setting menus displayed on the left side of the window, to press **[+]** or **[-]** key to choose the setting menu which you want.



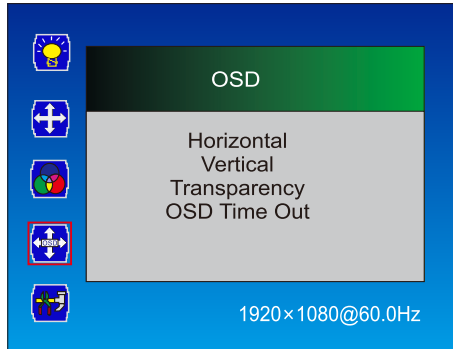
- b) Press key **[+]** or **[-]** to choose the Position adjusting menu, Press **[Menu]** to set the operation.



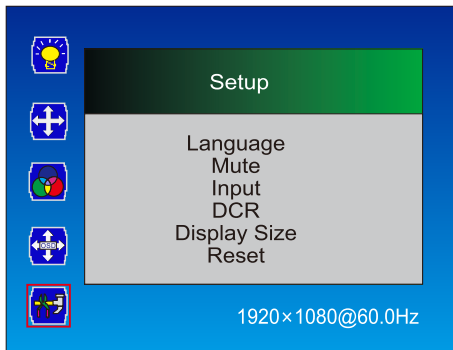
- c) Press key **[+]** or **[-]** to choose the Color menu, Press **[Menu]** to set the operation.



- d] Press key **[+]** or **[-]** to choose the OSD menu, it will show the menu information.



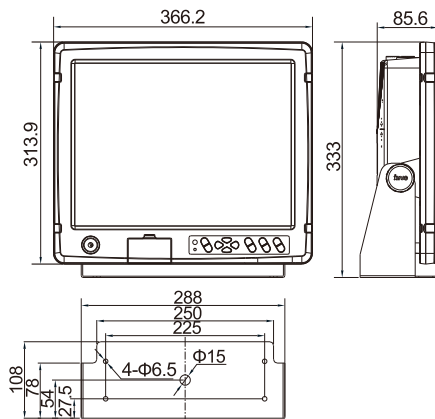
- e] Press key **[+]** or **[-]** to choose the Setup menu, Press **[Menu]** to set the operation.



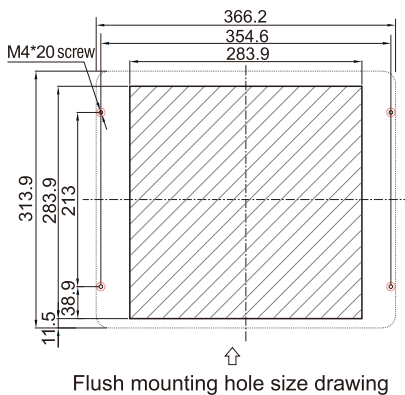
- [4] **[+]** key : Menu to move up, adjust the volume or adjust brightness.  
 [5] **[AUTO]** key : Automatically adjust to the center display; or return to the previous menu.  
 [6] **[EXIT]** key : Exit from current menu, or back to the previous menu.

### 3 Installation Overall Dimensions

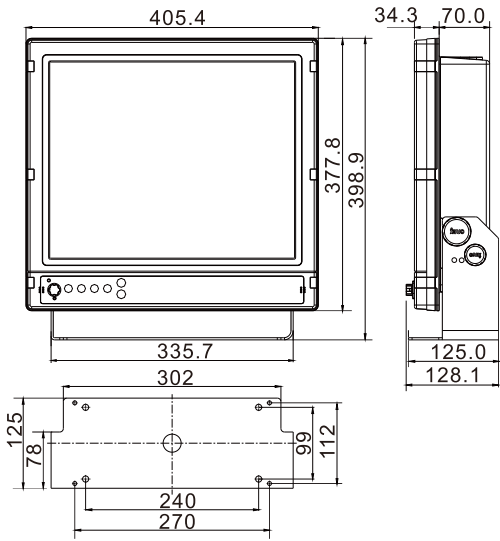
HM-2615 Counter Mounting Diagram (Unit: mm)



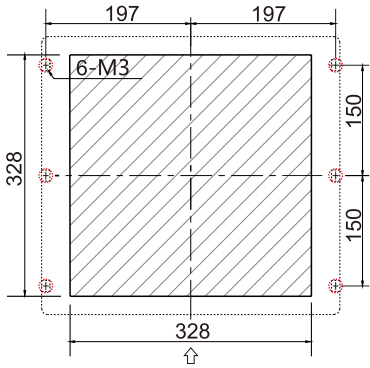
HM-2615 Flush Mounting Diagram (Unit: mm)



HM-2617 Counter Mounting Diagram (Unit: mm)

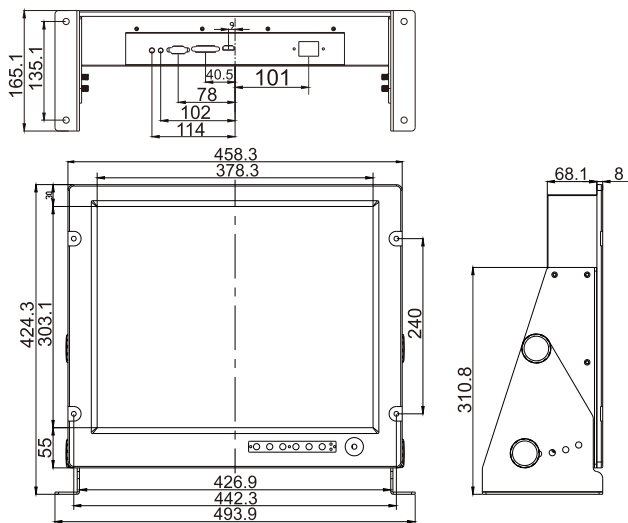


HM-2617 Flush Mounting Diagram (Unit: mm)

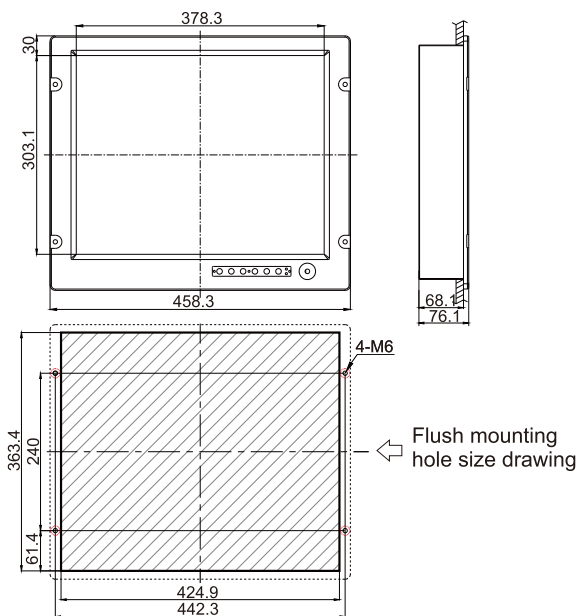


Flush mounting hole size drawing

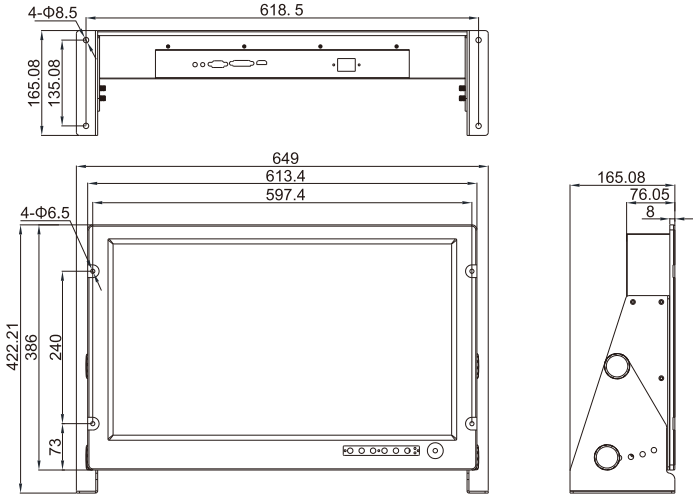
HM-2619 Counter Mounting Diagram (Unit: mm)



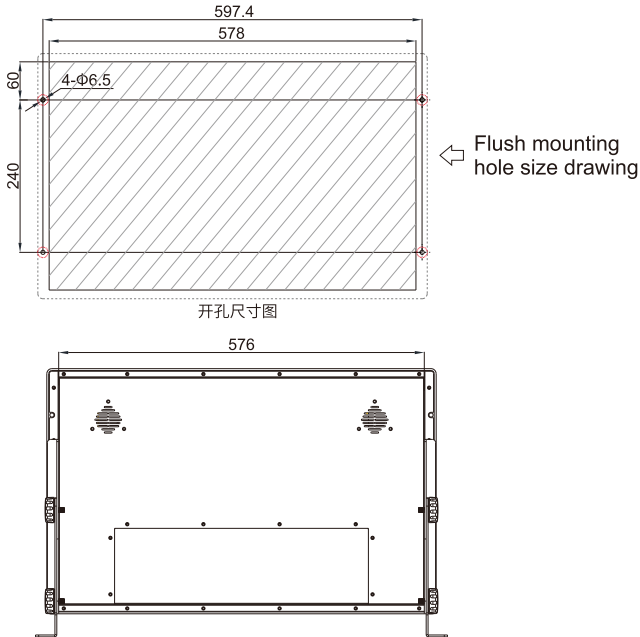
HM-2619 Flush Mounting Diagram (Unit: mm)



HM-2624 Counter Mounting Diagram (Unit: mm)



HM-2624 Flush Mounting Diagram (Unit: mm)





## 4 Marine Monitor Specification

Display Unit	HM-2615	HM-2617	HM-2619	HM-2624
Screen Size	15 inch (304mm×228mm)	17 inch (338mm×270mm)	19 inch (376mm×301mm)	24 inch (531mm×299mm)
Display Resolution	1024 ×768 (XGA)	1280 ×1024 (SXGA)	1280×1024 (SXGA)	1920×1080 (WUXGA)
Colors	16.7M	16.7M	16.7M	16.7M
Screen Brightness	450cd/m <sup>2</sup>	400cd/m <sup>2</sup>	450cd/m <sup>2</sup>	1000cd/m <sup>2</sup>
Viewing Angle	Horizontal: 170° Vertical: 140°	Horizontal: 170° Vertical: 160°	Horizontal: 150° Vertical: 140°	Horizontal: 170° Vertical: 160°
Contrast Ratio	800:1	800:1	800:1	1000:1
Video Input	VGA	VGA, DVI, HDMI	VGA, DVI, HDMI	VGA, DVI, HDMI
Operating Temperature	-15°C ~ +55°C	-15°C~ +55°C	-15°C~ +55°C	-15°C~ +55°C
Storage Temperature	-20°C ~ +60°C	-20°C ~ +60°C	-20°C ~ +60°C	-20°C~ +60°C
Power Supply	DC12V ~ 36 V	DC12V ~ 36 V	AC110V/AC220V or DC24V	AC110V/AC220V or DC24V
Compatible Resolution	1024*768; 800*600; 640*480...	1280*1024; 1024*768; 800*600; 640*480...	1280*1024; 1024*768; 800*600; 640*480...	1920*1080; 1920*1440; 1680*1050; 1366*768; 1280*720...
Menu language	English, simplified Chinese, French, German, Spanish, Italian, Korean, Portuguese	Chinese, English, German, Spanish, Italian, Japanese, Korean, Portuguese, French, Brazilian		
Standards	IEC 60950-1; ETSI EN 301 489-3 V1.4.1; IEC 60529; ETSI EN 300 440-2 V1.4.1; ETSI EN 300 440-1 V1.6.1;			

## 5 Packing List

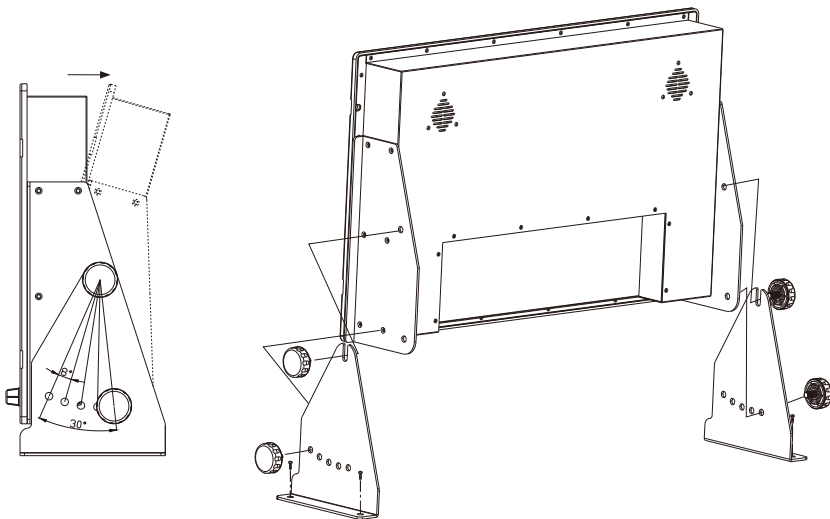
Before installing please check whether your package included the following items.

Standard Package:

- ① Main Unit x 1 set
- ② Mounting Bracket x 1sets
- ③ Mounting Bracket Screw (L) with 2pcs of rubber ring x 2 sets
- ④ Mounting Bracket Screw (S) with 2pcs of rubber ring x 2 sets
- ⑤ PWR Cable x 1 pc
- ⑥ VGA Cable x 1 pc
- ⑦ Wood Screw x 4 pcs
- ⑧ User's Manual x 1 pc

## 6 Bracket Mounting Instruction

Please refer the following picture show to install the bracket:



YS01000028



**Xinuo Information Technology (Xiamen) Corporation Limited**

Address: Unit 2001, 1 Chengyi North Street (B04), Software Park III, Xiamen, China

Tel: +86-592-3300300 Fax: +86-592-3300310 Hotline: 400-8868-592

Web: <http://www.xinuo.com> Email: [info@xinuo.com](mailto:info@xinuo.com)

